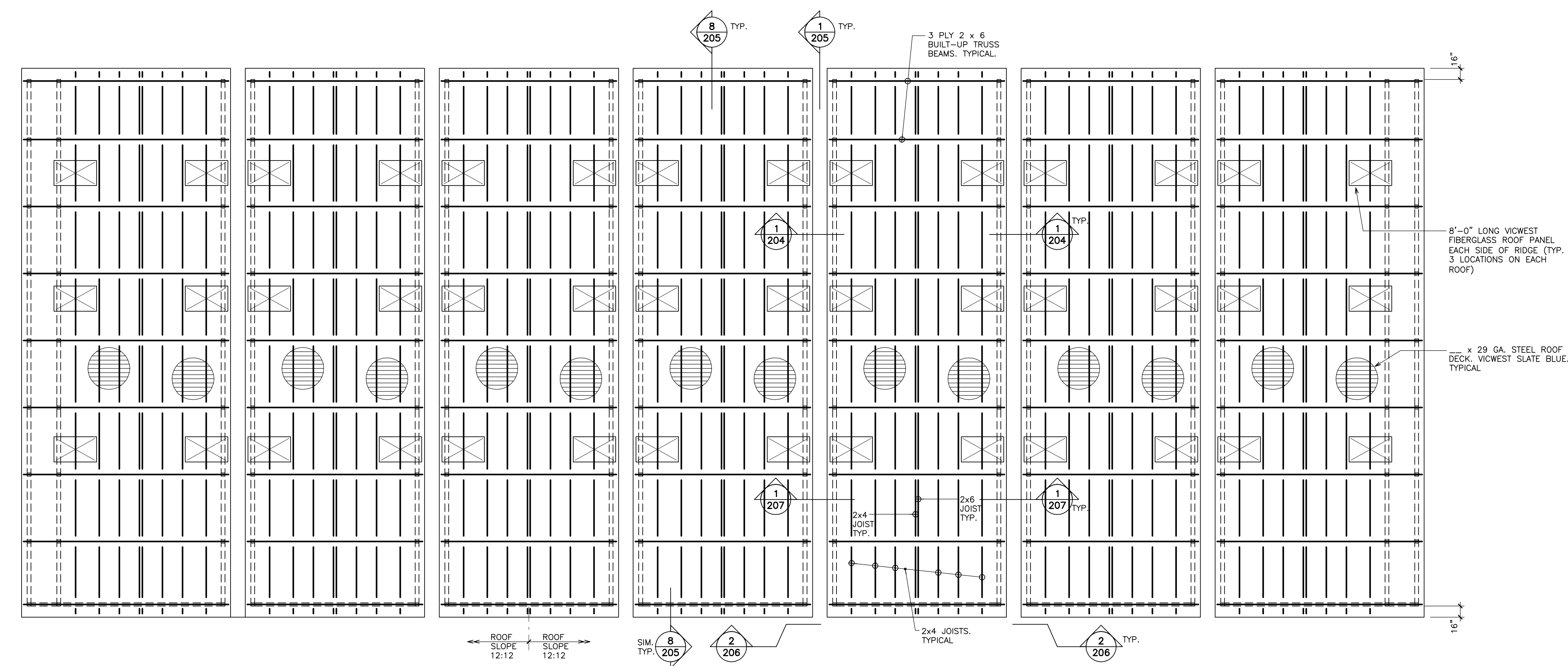


1 FINGER FLOAT LAYOUT PLAN
1/8" = 1'-0"



2 BOAT SHED ROOF LAYOUT PLAN
1/8" = 1'-0"

Drawing Notes

- All drawings, plans, models, designs, specifications and other documents prepared by Read Jones Christoffersen Ltd. ("RJC") and used in connection with this project are instruments of service for the work shown in them. The "Work" and as such are and remain the property of RJC whether the Work is executed or not, and RJC reserves the copyright in them and the Work executed from them, and they shall not be used for any other work or project.
- These drawings are "design drawings" only. They may not be suitable for use as shop drawings. Use of these drawings as base drawings for "shop drawings" is not permitted unless written permission containing certain conditions and limitations is obtained from RJC. The work "as constructed" may vary from what is shown on these drawings.
- Use of these drawings is limited to that identified in the Issued/Revision column. Do not construct from these drawings unless marked "Issued for Construction" by RJC in the Issued/Revision column, and then only for the parts noted. The drawings shall not be used for "bidding", "costing" or "tender" unless so indicated in the Issued/Revisions column. "Piling" or "Coaming" drawings are not complete and any prices based on such drawings must allow for this.



| No. | Revision | Date | By |
|-----|----------|------|----|
| | | | |
| | | | |
| | | | |
| | | | |

rjc Read Jones Christoffersen Consulting Engineers
 Vancouver • Victoria • Nanaimo • Calgary • Edmonton • Toronto
 Suite 300, 1285 West Broadway, Vancouver, BC V6H 3X8 Canada
 Office 604 738-0048 Fax 604 738-0107 www.rjc.ca

Project Name
Royal Vancouver Yacht Club

Boat House Replacement Phase 1

Sheet Title
Finger Float Layout Plan and Boat Shed Roof Layout Plan

Drawn By **hm** Scale **As Noted**
 Designed By **JM** Date
 RJC Project Number **VAN.039274.0002**

Sheet Number **S-201** Revision

Drawing Notes

- All drawings, plans, models, designs, specifications and other documents prepared by Read Jones Christoffersen Ltd. ("RJC") and used in connection with this project are instruments of service for the work shown in them. The "Work" and as such are and remain the property of RJC whether the Work is executed or not, and RJC reserves the copyright in them and the Work executed from them, and they shall not be used for any other work or project.
- These drawings are "design drawings" only. They may not be suitable for use as shop drawings. Use of these drawings as base drawings for "shop drawings" is not permitted unless written permission containing certain conditions and limitations is obtained from RJC. The work "as constructed" may vary from what is shown on these drawings. Use of these drawings is limited to that identified in the Issued/Revision column.
- Do not construct from these drawings unless marked "Issued for Construction" by RJC in the Issued/Revision column, and then only for the parts noted. The drawings shall not be used for "bidding", "costing" or "tender" unless so indicated in the Issued/Revision column. "Pricing" or "Costing" drawings are not complete and any prices based on such drawings must allow for this.



| | | | |
|-----------------------|-------------|------|----|
| ISSUED FOR 25% REVIEW | MAR 3, 2011 | | |
| No. | Revision | Date | By |

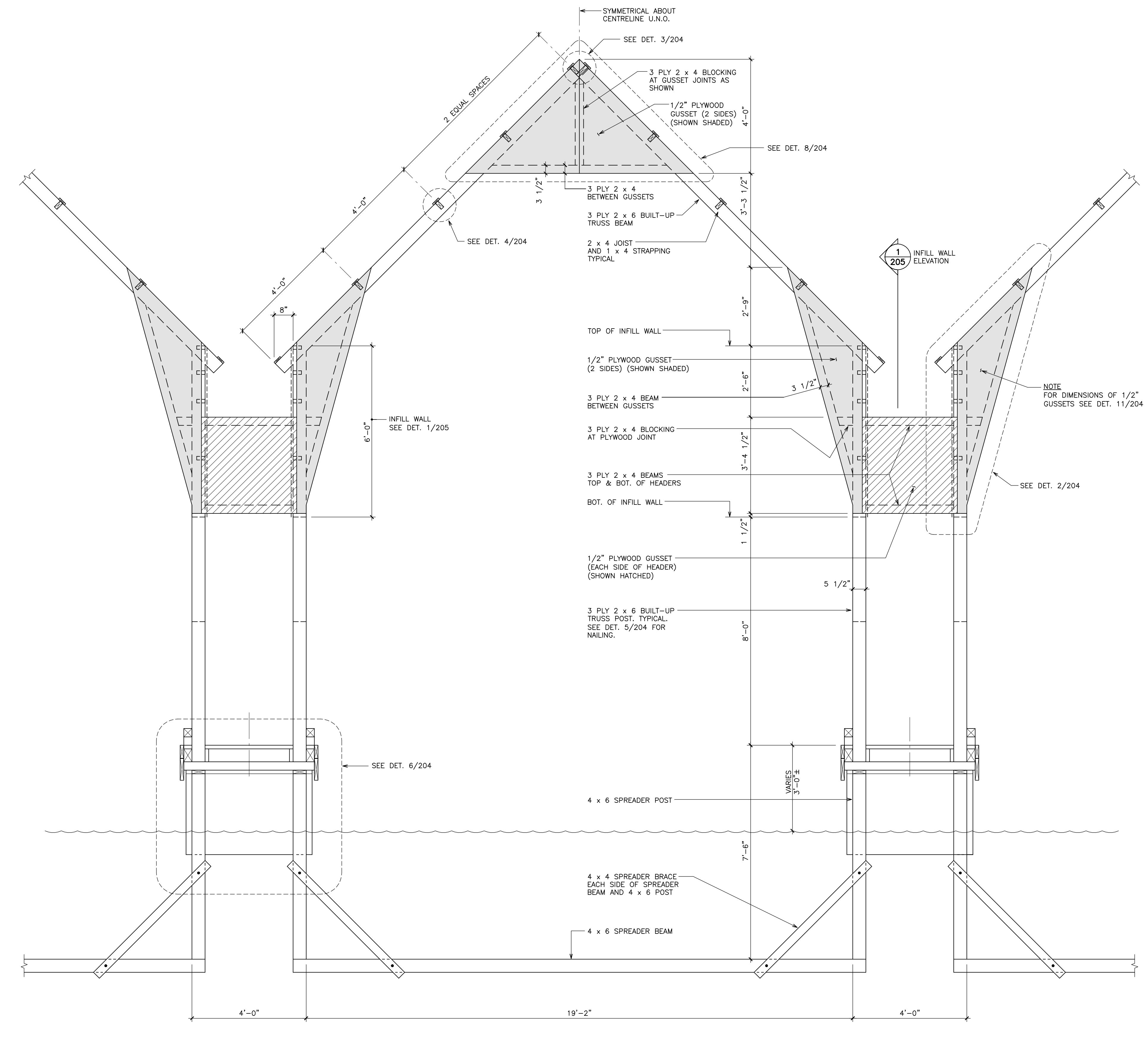
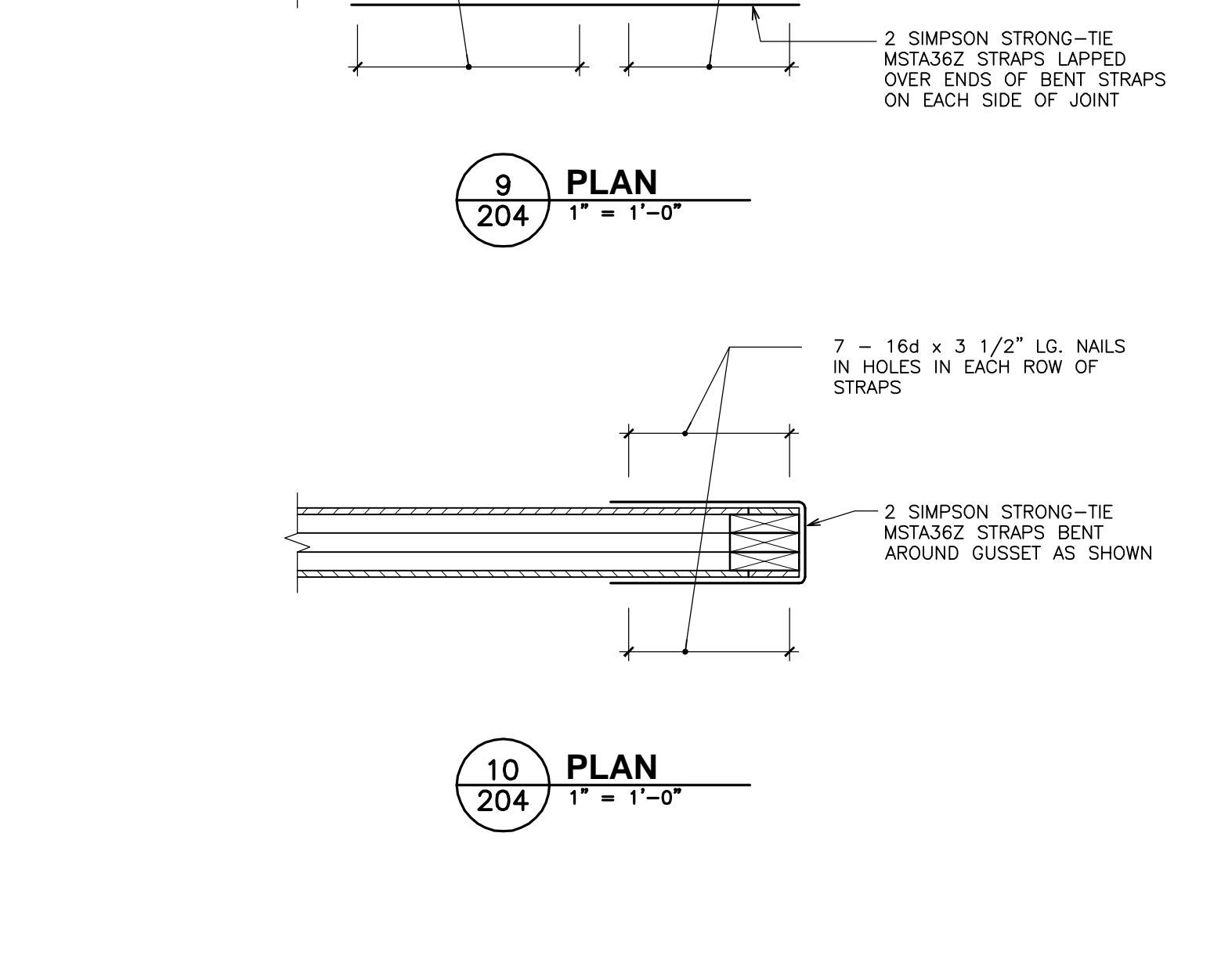
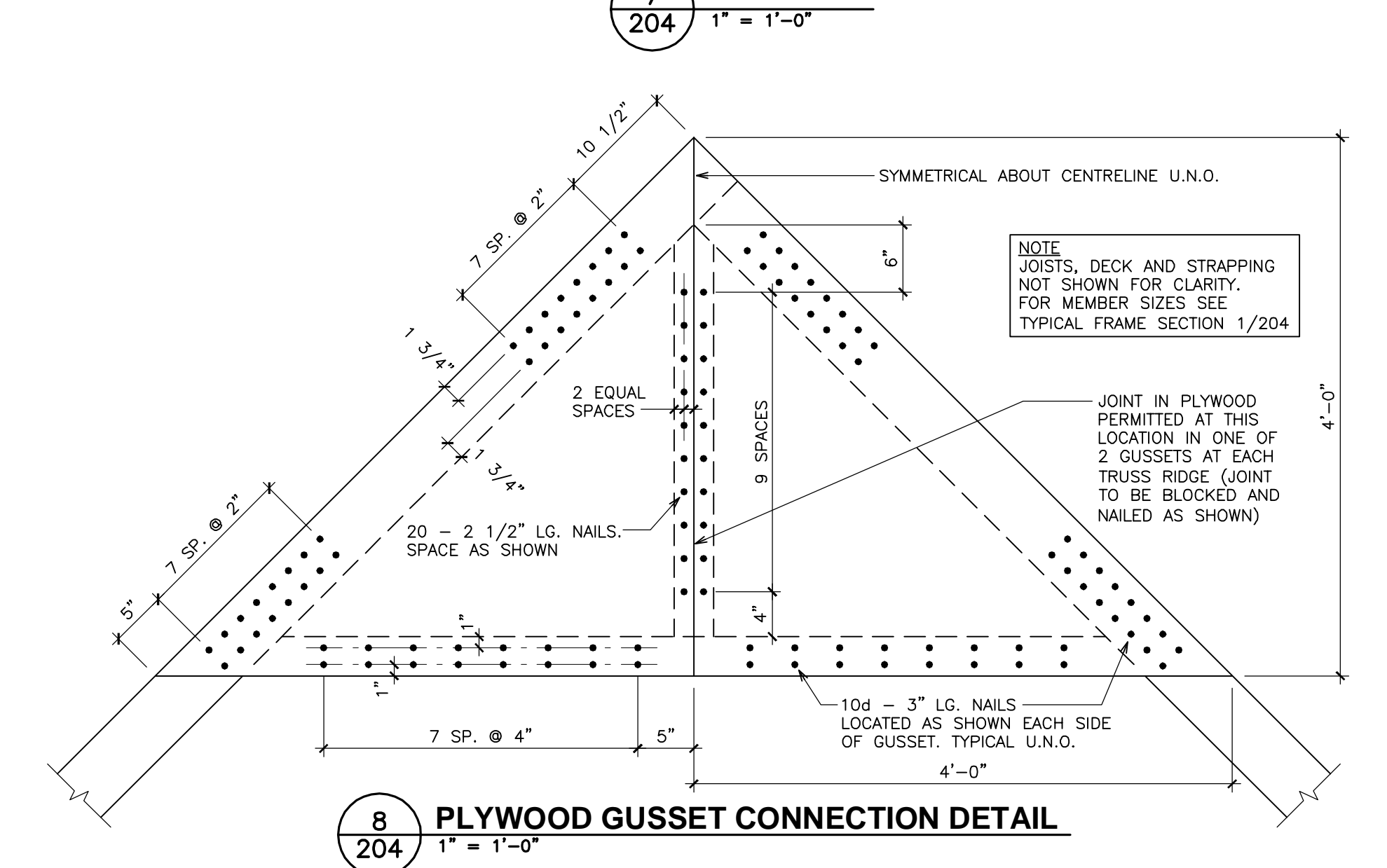
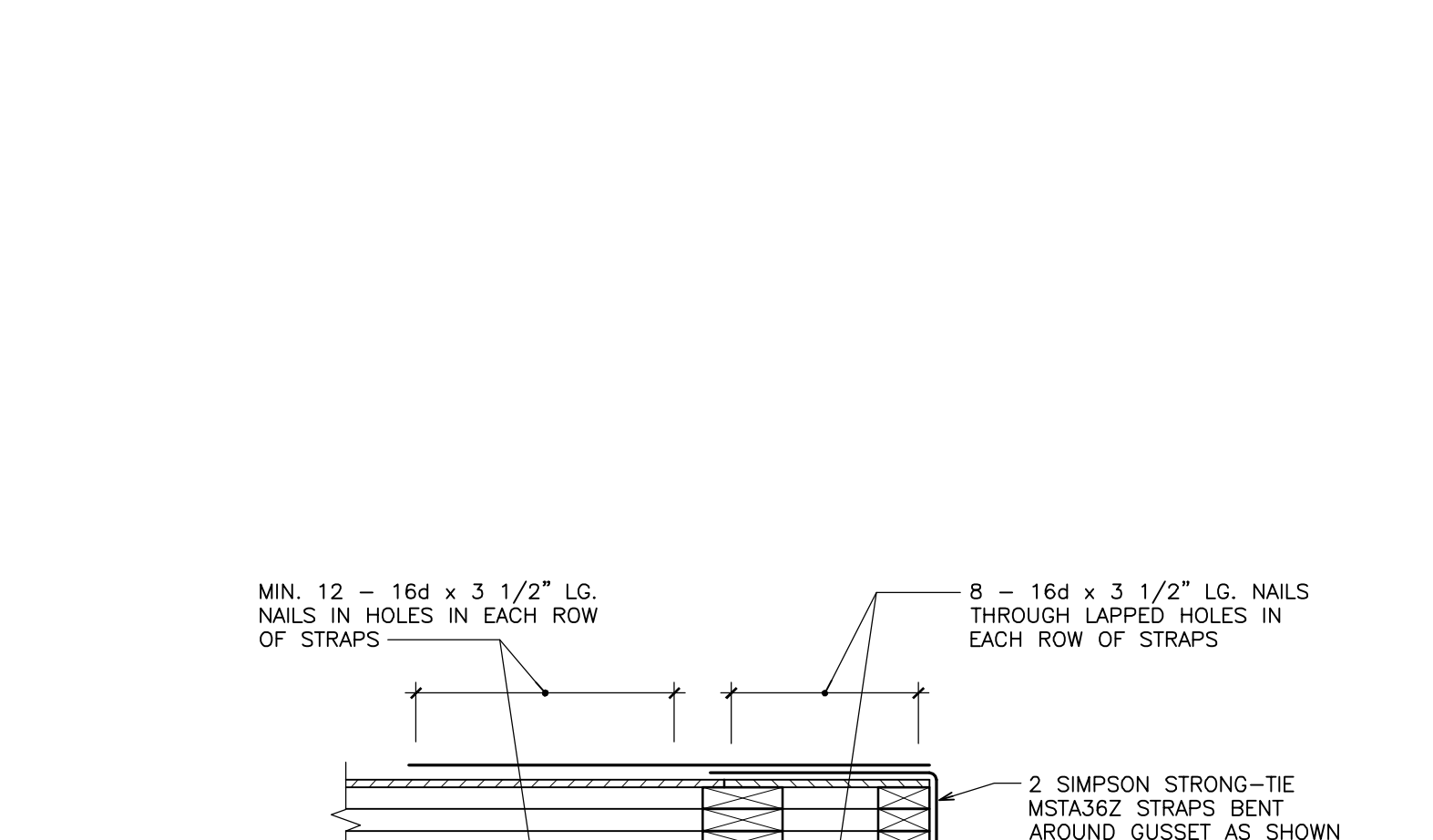
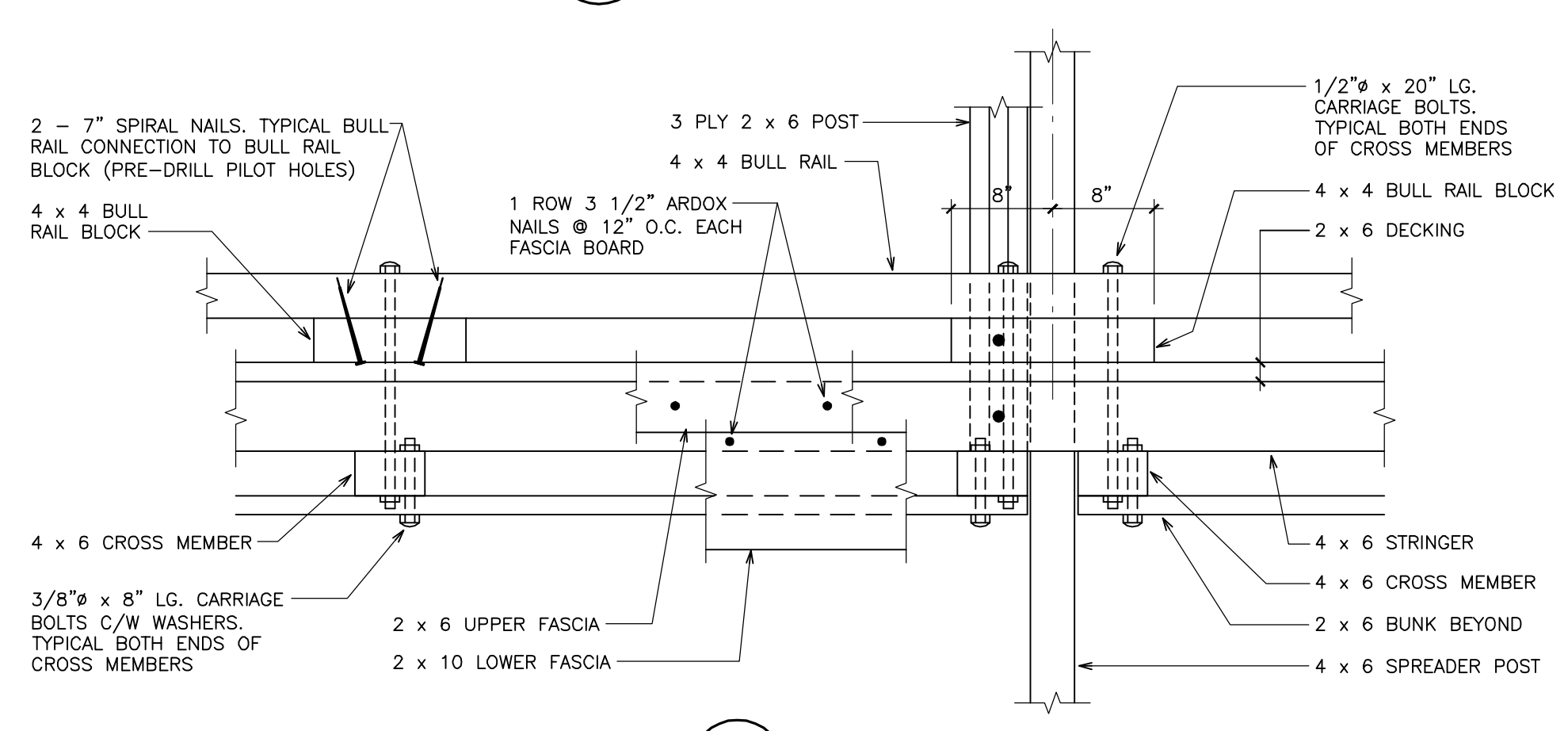
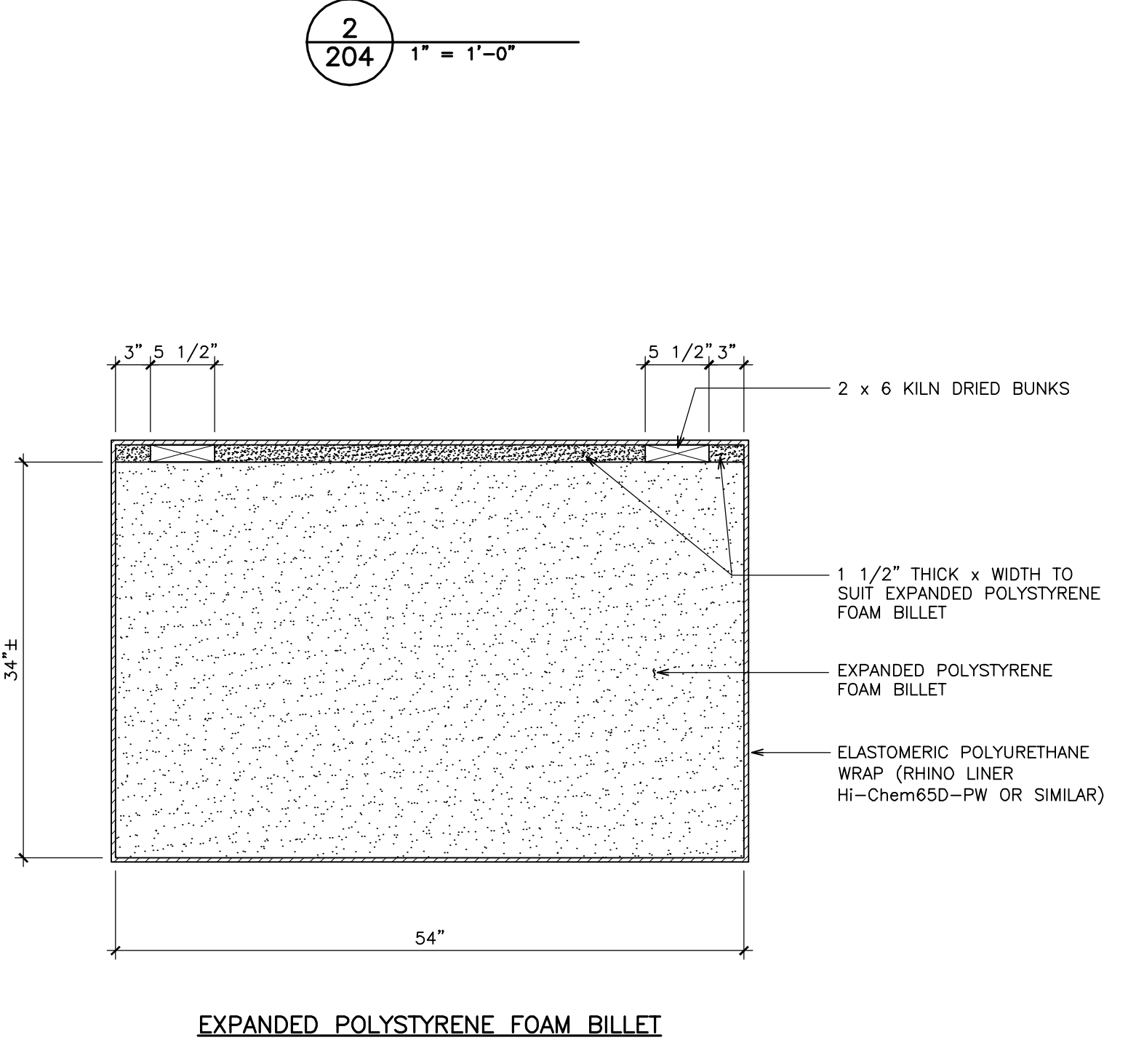
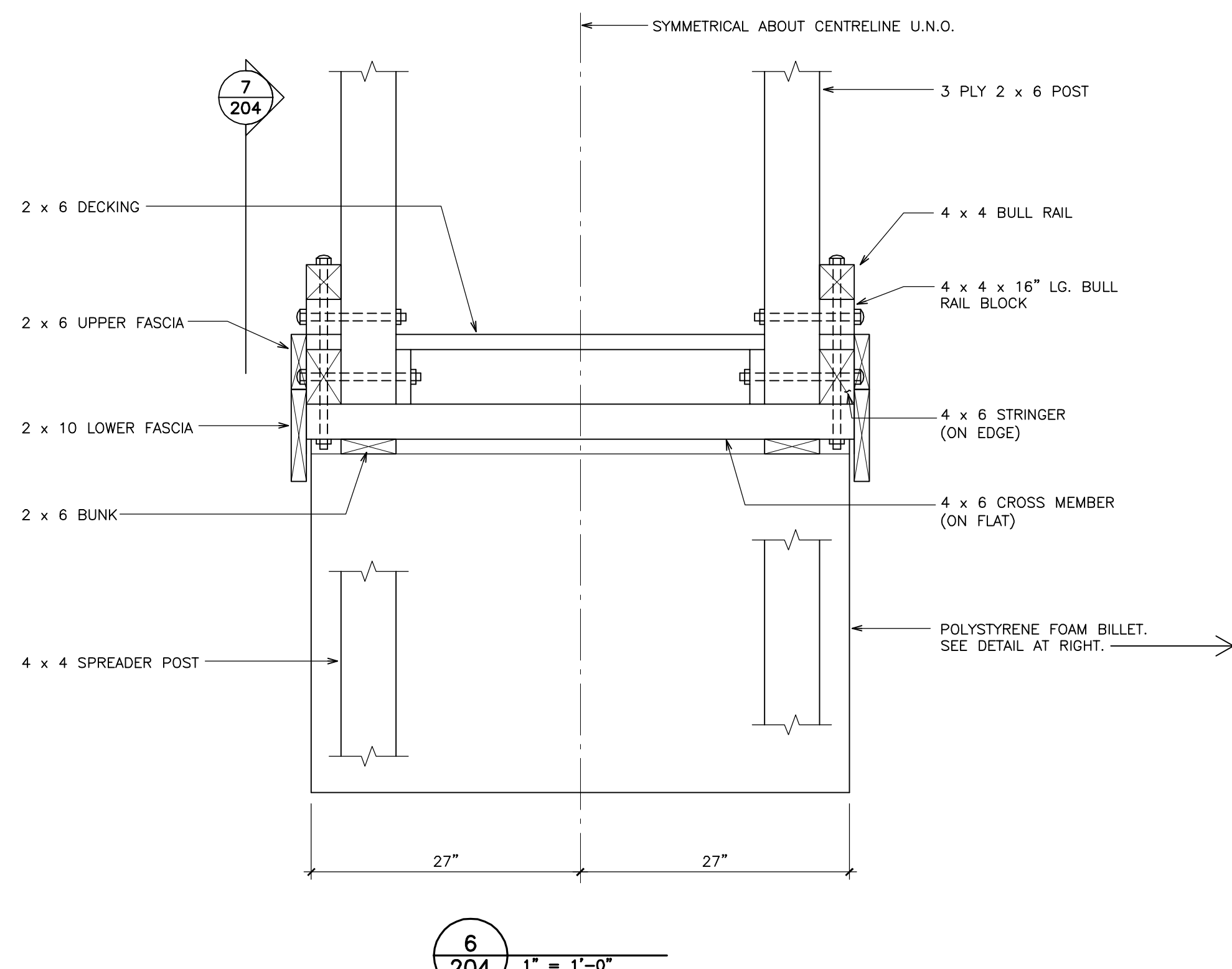
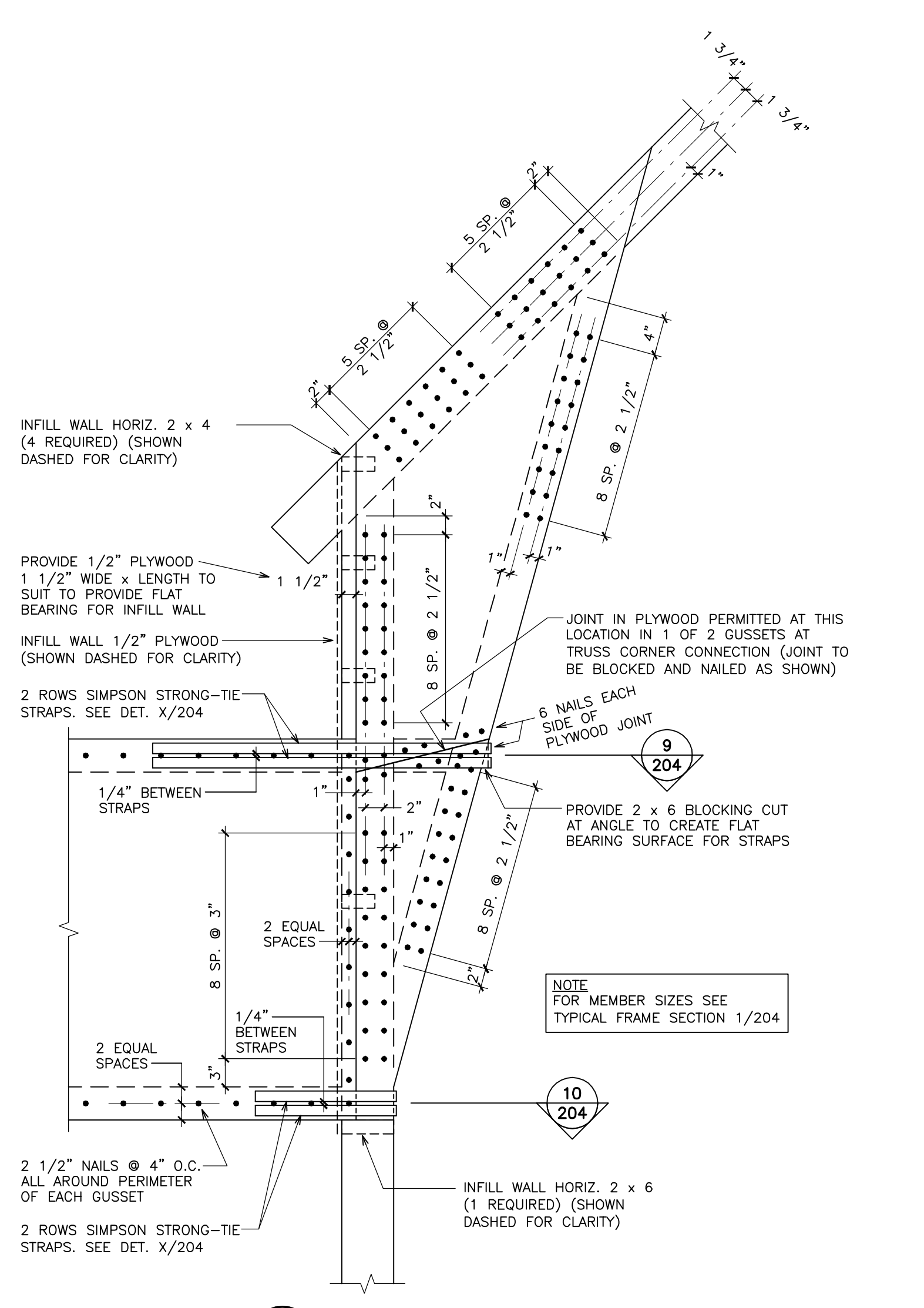
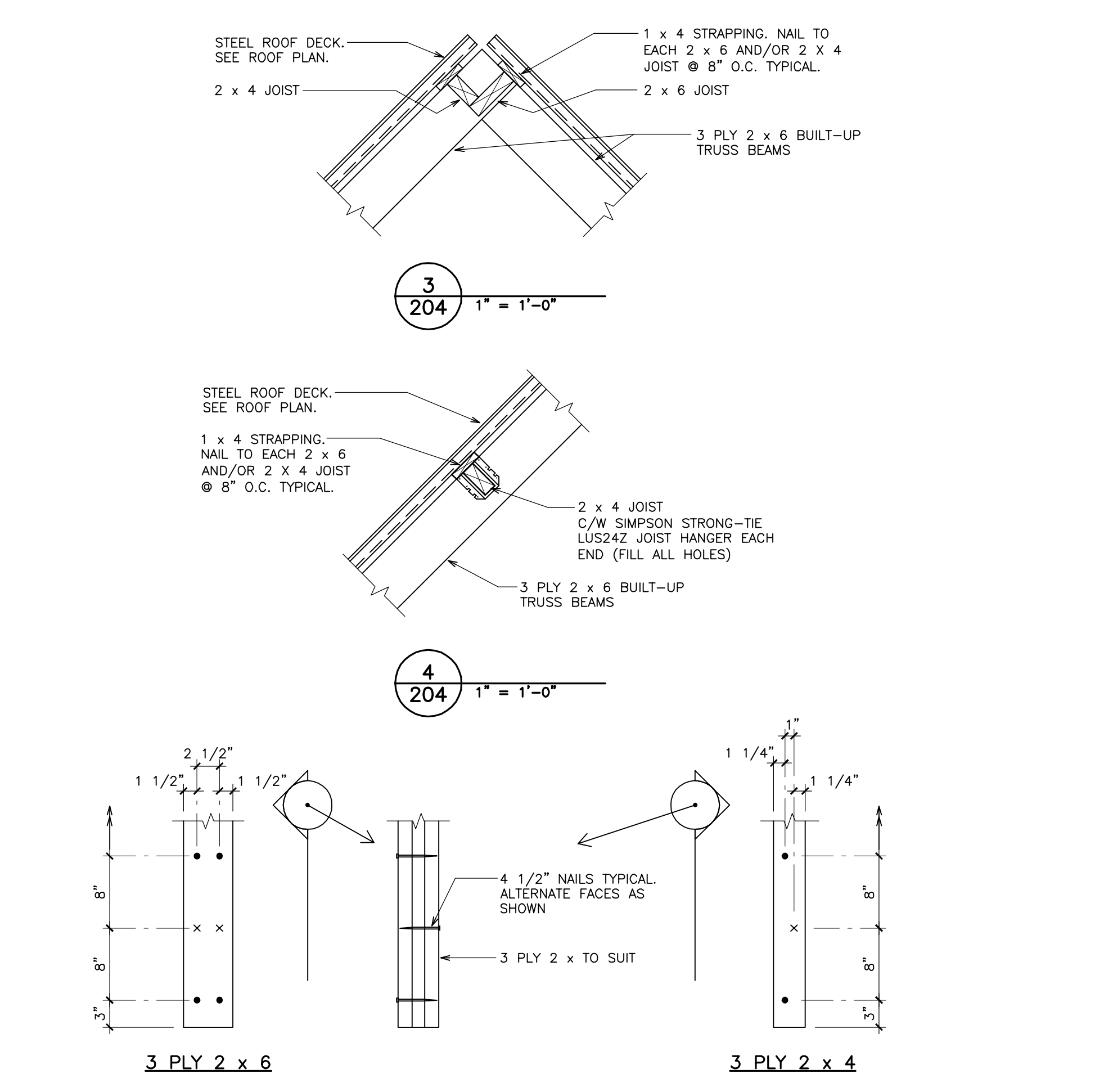
rjc Read Jones Christoffersen Consulting Engineers
 Vancouver • Victoria • Nanaimo • Calgary • Edmonton • Toronto
 Suite 300, 1385 West Broadway, Vancouver, BC V6H 3X8 Canada
 Office 604 738-0048 Fax 604 738-9107 www.rjc.ca

Project Name
Royal Vancouver Yacht Club

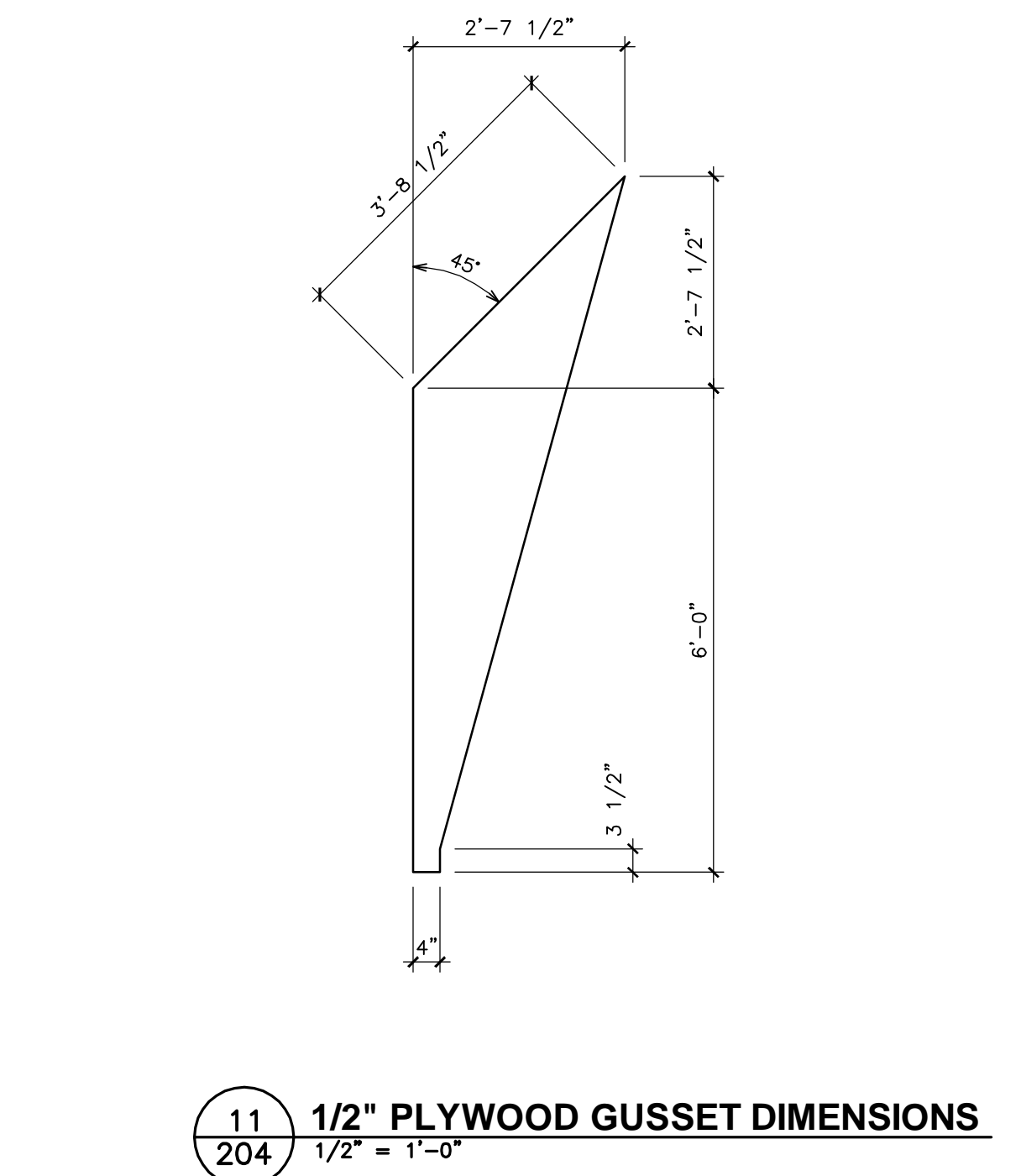
Boat House Replacement Phase 1

Sheet Title
Details

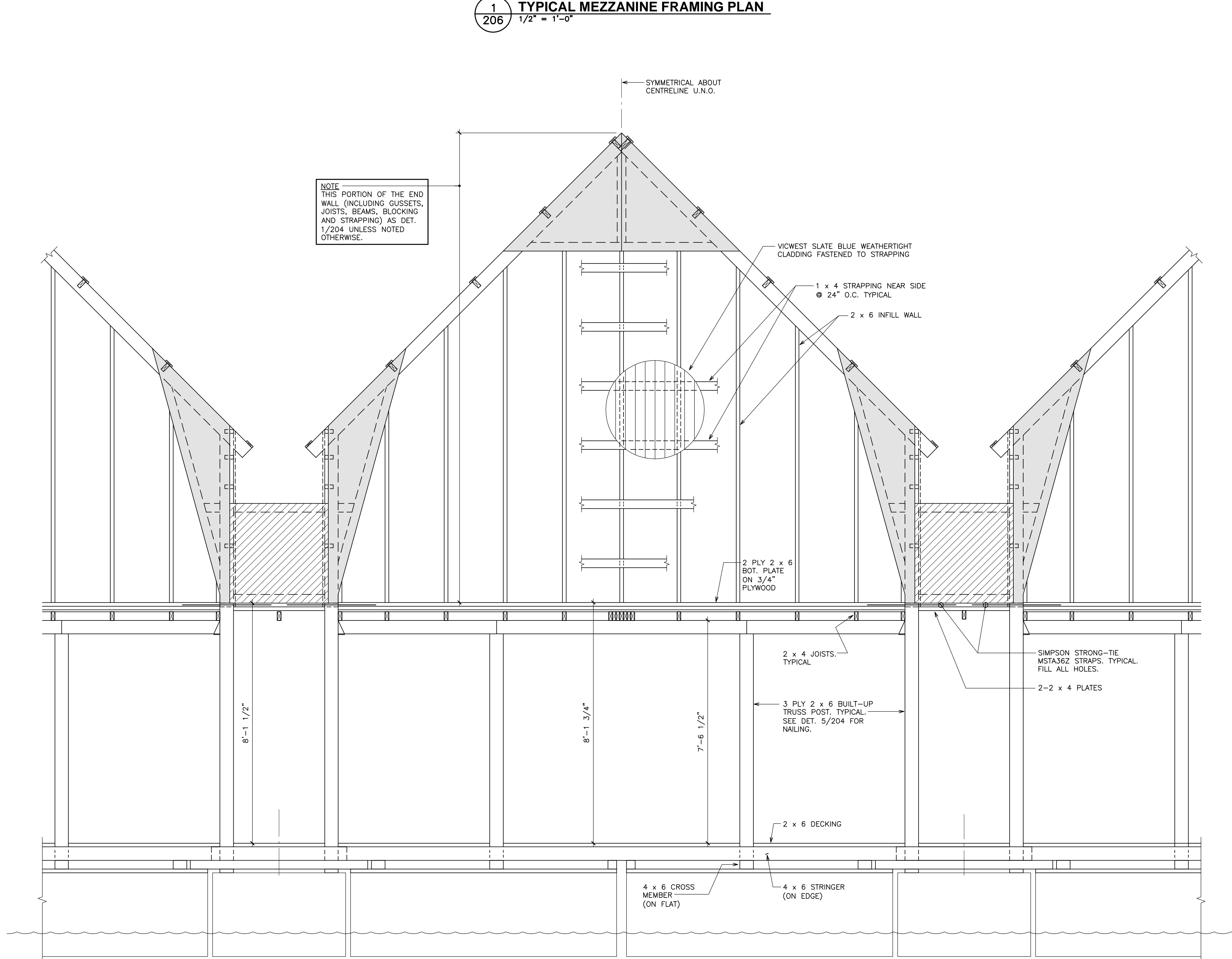
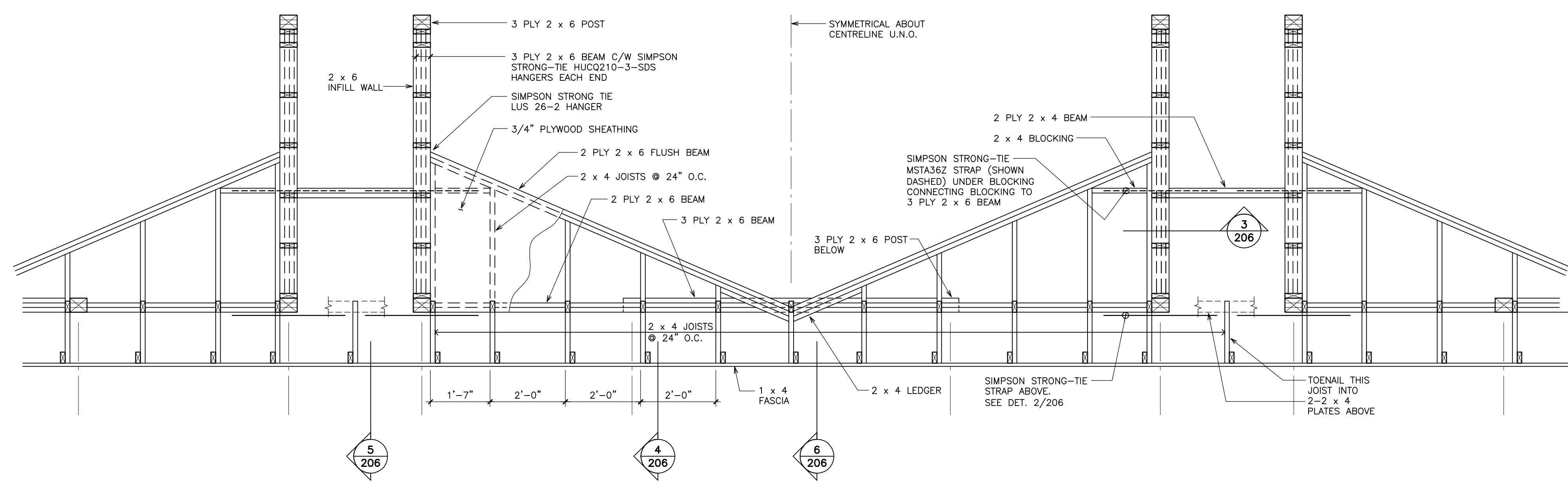
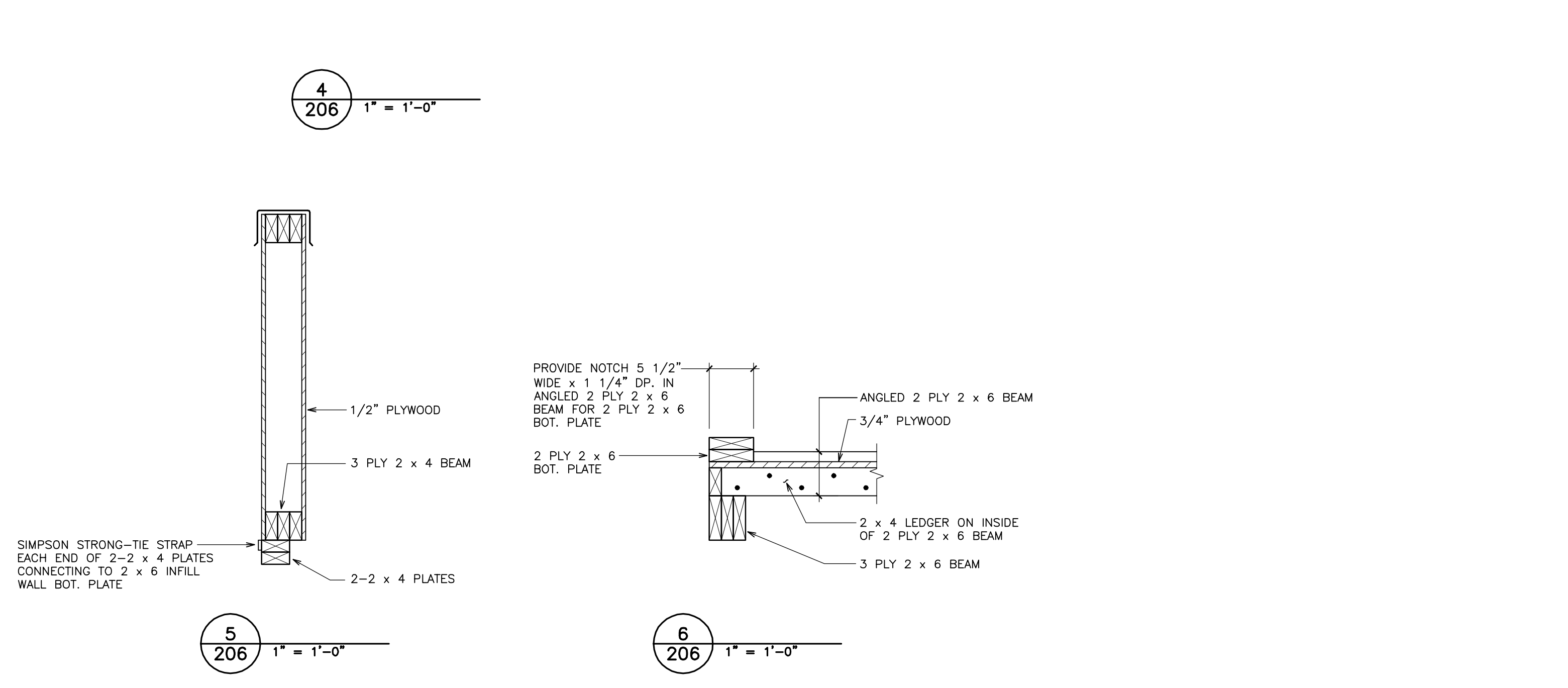
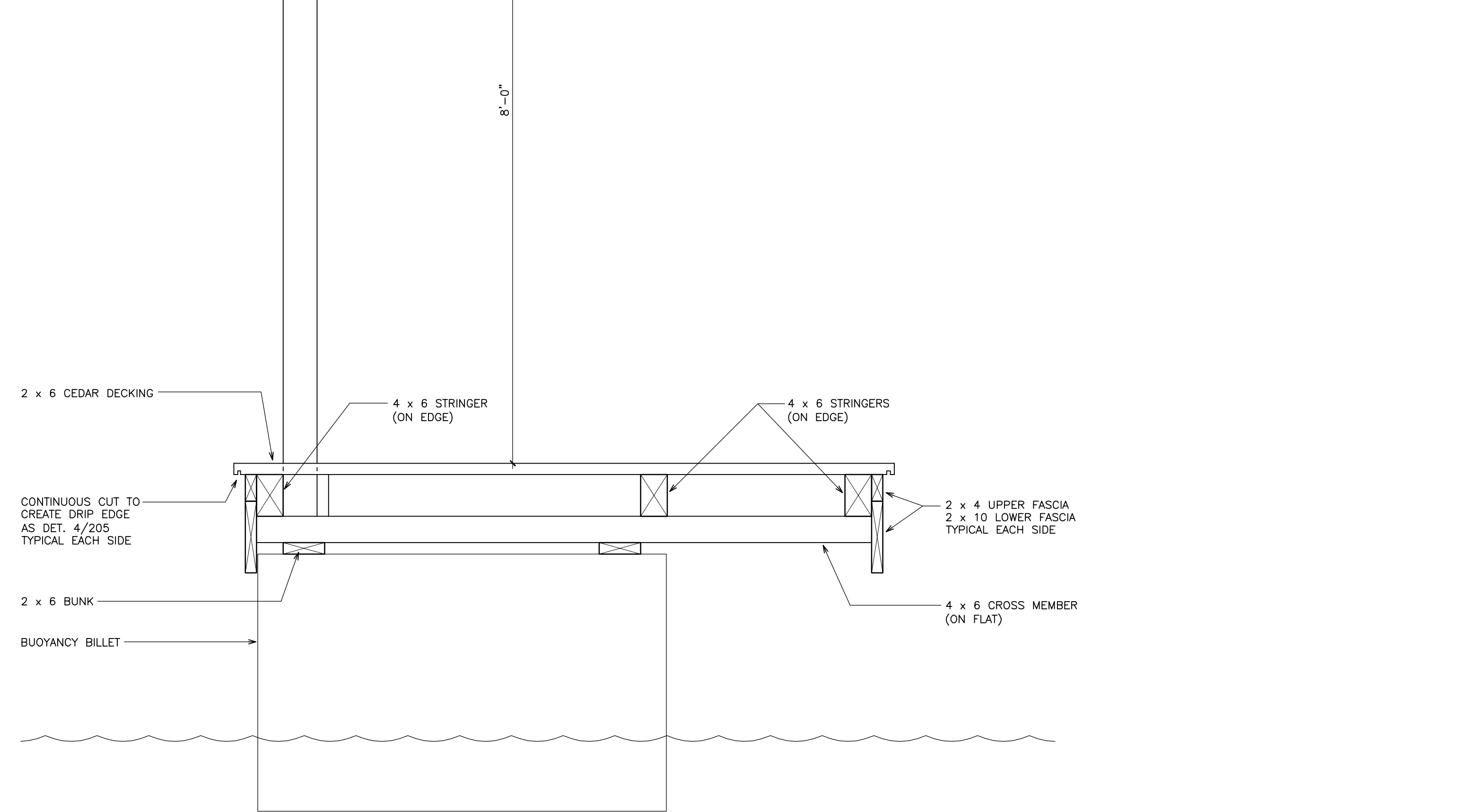
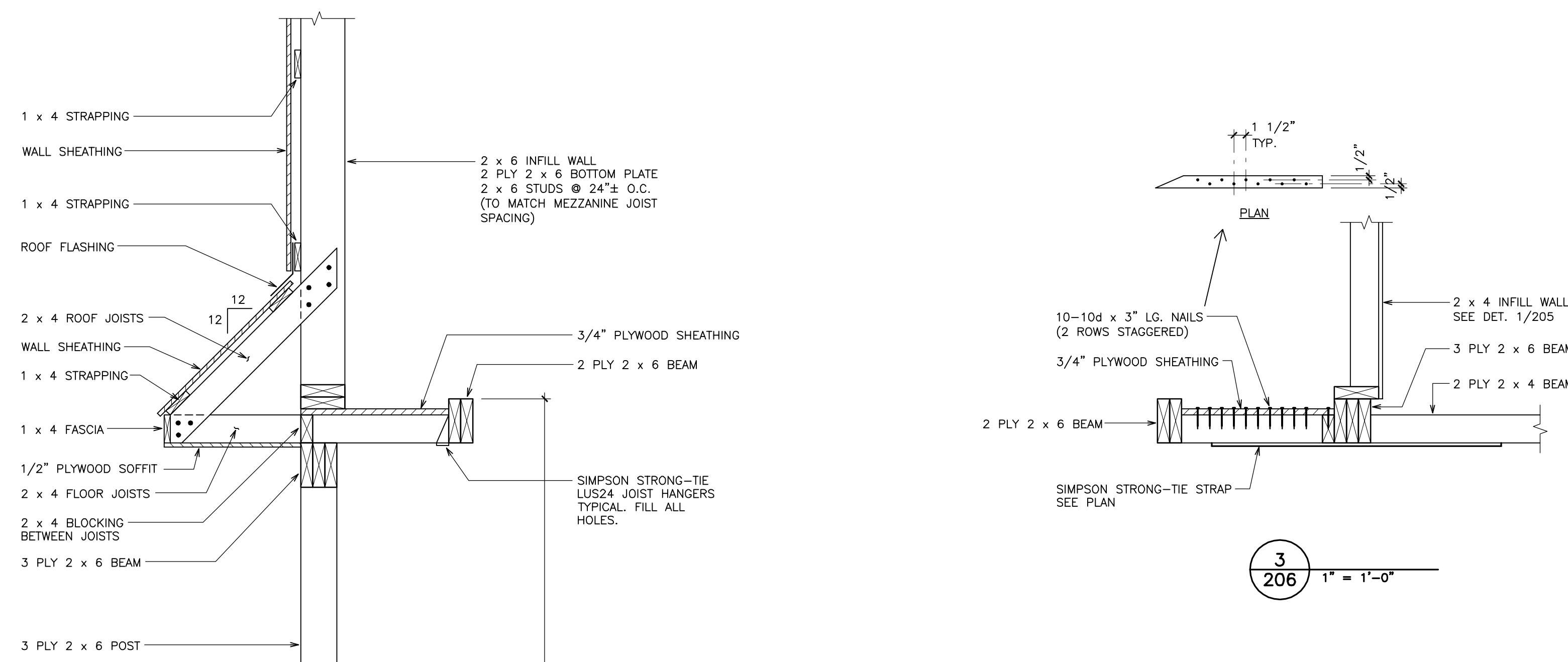
Drawn By **hm** Scale **As Noted**
 Designed By **JM** Date
 RJC Project Number **VAN.039274.0002**
 Sheet Number **S-204** Revision



1 TYPICAL FRAME SECTION AT SPREADER BEAMS
 1/2" = 1'-0"



11 1/2" PLYWOOD GUSSET DIMENSIONS
 1/2" = 1'-0"



Drawing Notes

- All drawings, plans, models, designs, specifications and other documents prepared by Read Jones Christoffersen Ltd. ("RJC") and used in connection with this project are instruments of service for the work shown in them. The "Work" and as such are and remain the property of RJC whether the Work is executed or not, and RJC reserves the copyright in them and the Work executed from them, and they shall not be used for any other work or project.
- These drawings are "design drawings" only. They may not be suitable for use as shop drawings. Use of these drawings as shop drawings for "shop drawings" is not permitted unless written permission containing certain conditions and limitations is obtained from RJC. The work "as constructed" may vary from what is shown on these drawings.
- Use of these drawings is limited to that identified in the Issued/Revision column. Do not construct from these drawings unless marked "Issued for Construction" by RJC in the Issued/Revision column, and then only for the items noted. The drawings shall not be used for "bidding", "costing" or "tender" unless so indicated in the Issued/Revision column. "Pricing" or "Costing" drawings are not complete and any prices based on such drawings must allow for this.



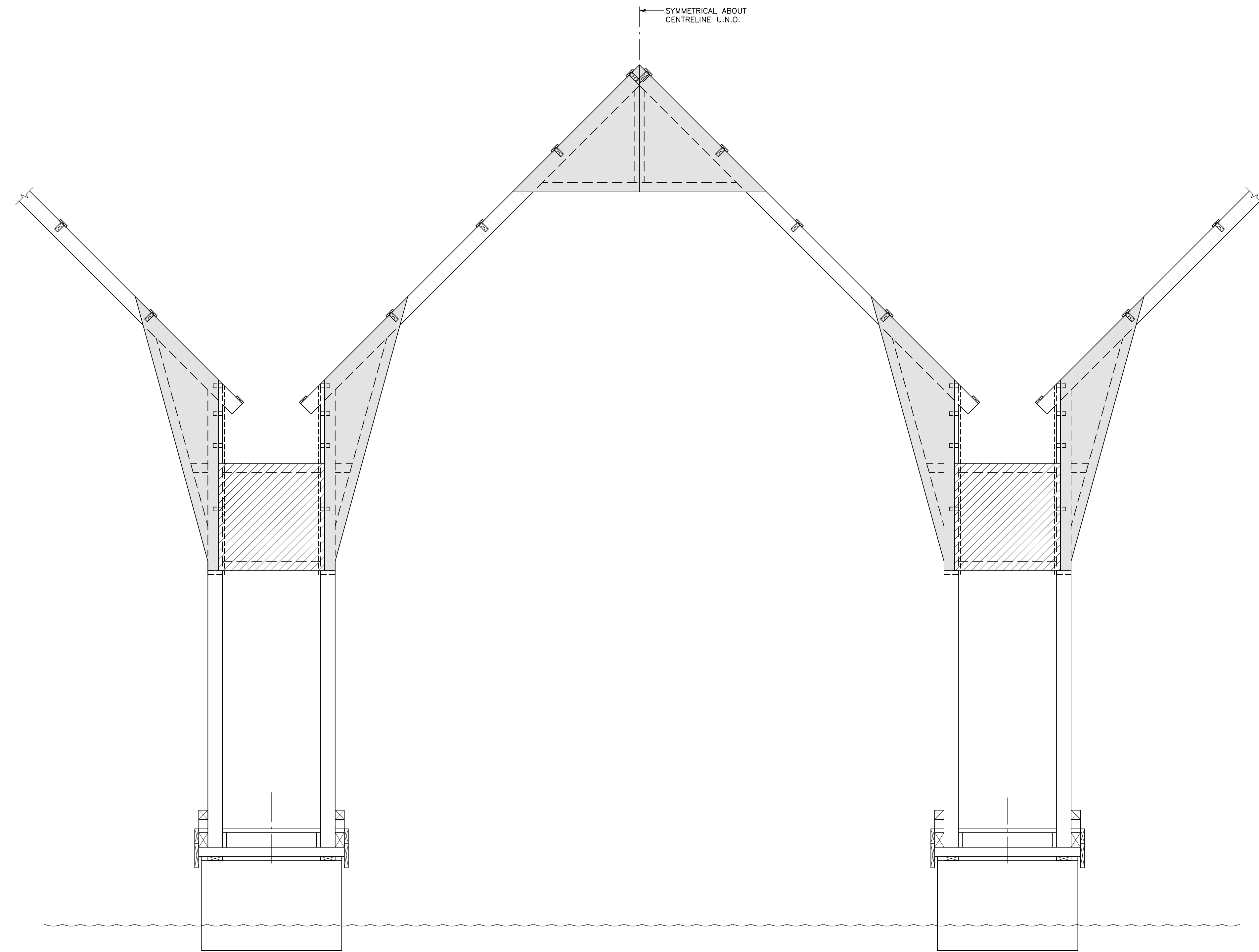
| No. | Revision | Date | By |
|-----|----------|------|----|
| | | | |
| | | | |
| | | | |

rjc Read Jones Christoffersen Consulting Engineers
 Vancouver • Victoria • Nanaimo • Calgary • Edmonton • Toronto
 Suite 300, 1385 West Broadway, Vancouver, BC V6H 3X8 Canada
 Office 604.738.0048 Fax 604.738.0107 www.rjc.ca

Project Name
Royal Vancouver Yacht Club
 Boat House Replacement
 Phase 1

Sheet Title
Details

Drawn By **hm** Scale **As Noted**
 Designed By **JM** Date
 RJC Project Number **VAN.039274.0002**
 Sheet Number **S-206** Revision



1
207 TYPICAL FRAME SECTION - SIM. DET. 1/204 U.N.O.
1/2" = 1'-0"

Drawing Notes

- All drawings, plans, models, designs, specifications and other documents prepared by Read Jones Christoffersen Ltd. ("RJC") and used in connection with this project are instruments of service for the work shown in them. The "Work" and as such are and remain the property of RJC whether the Work is executed or not, and RJC reserves the copyright in them and the Work executed from them, and they shall not be used for any other work or project.
- These drawings are "design drawings" only.
They may not be suitable for use as shop drawings. Use of these drawings as base drawings for "shop drawings" is not permitted unless written permission containing certain conditions and limitations is obtained from RJC.
The work "as constructed" may vary from what is shown on these drawings.
- Use of these drawings is limited to that identified in the Issued/Revision column.
Do not construct from these drawings unless marked "Issued for Construction" by RJC in the Issued/Revision column, and then only for the parts noted.
The drawings shall not be used for "bidding" / "costing" or "tender" unless so indicated in the Issued/Revisions column. "Pricing" or "Costing" drawings are not complete and any prices based on such drawings must allow for this.



| No. | Revision | Date | By |
|-----|----------|------|----|
| | | | |
| | | | |
| | | | |

rjc Read Jones Christoffersen
Consulting Engineers

Vancouver • Victoria • Nanaimo • Calgary • Edmonton • Toronto
Suite 300, 1285 West Broadway, Vancouver, BC V6H 3X8 Canada
Office 604 738-0048 Fax 604 738-9107 www.rjc.ca

Project Name
Royal Vancouver Yacht Club
Boat House Replacement
Phase 1

Sheet Title
Details

Drawn By **hm** Scale **As Noted**
Designed By **JM** Date .
RJC Project Number **VAN.039274.0002**

Sheet Number **S-207** Revision .